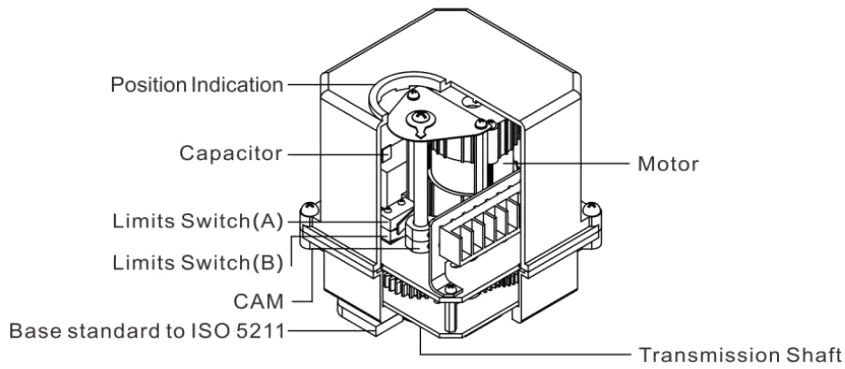


# UM-1 Direct Mount Series



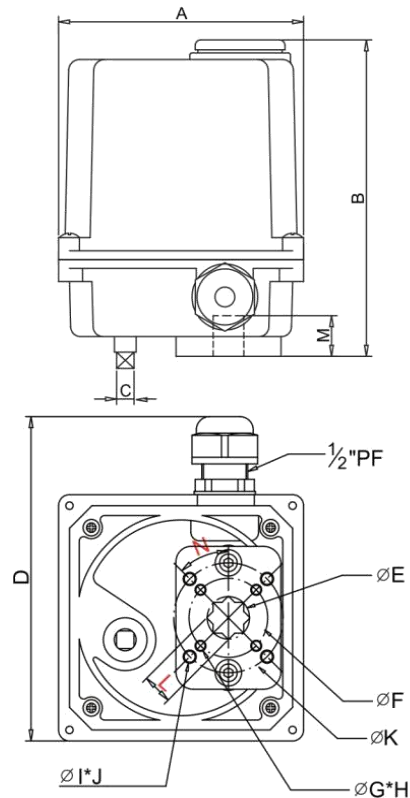
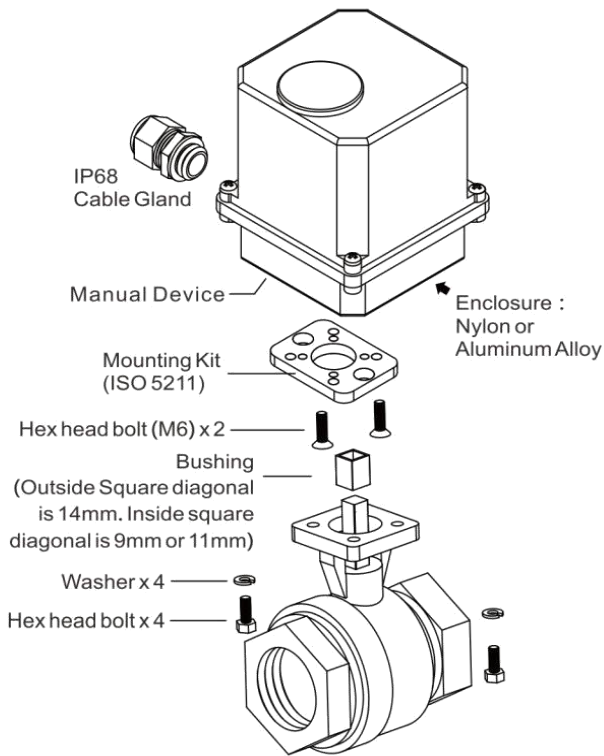
Weight : 1.6 kg

※The following values are subject to begin with 60Hz

Power	Specification			Speed (sec)		Output Torque Kgf-cm		
	AC110V	AC220V	DC24V	AC	DC	AC110V	AC220V	DC24V
10W	0.6A	0.3A	0.1A	10	15	350	362	400
15W	0.7A	0.4A	N/A	10	N/A	410	432	N/A

Valve Size		
Screw End	Flange End	3-Way Valve
1/4" ~ 1 1/2"	1/2" ~ 1"	1/2" ~ 1 1/2"



ISO 5211 F03/05  
Optional : F05/07 or F04

Dimension Model	Dimension (mm)														ISO 5211
	A	B	C	D	E	F	G	H	I	J	K	L Max	M	N	
UM-1	118	145	8	140	19.3	36	M5	4	M6	4	50	14.03	19	45	F03/F05

\*Action Interval: 5 minutes per travel\*