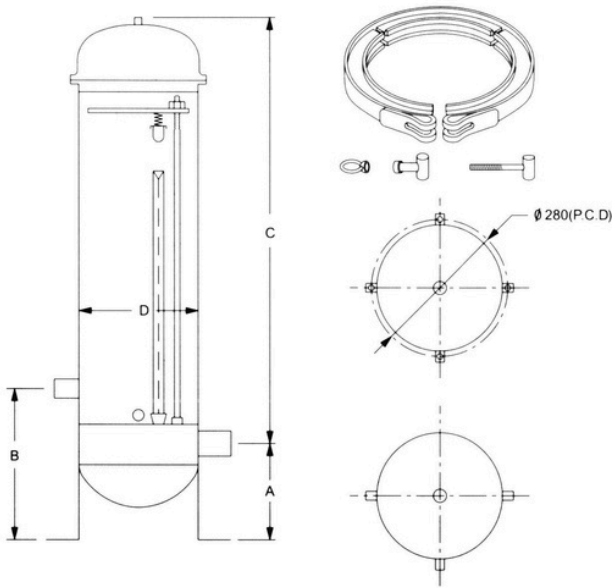


# PRODUCT SPECIFICATION

**ITEM CODE:** CLUSTER FILTER  
**DESCRIPTION:** WISE CLOCK HIGH PRESSURE BEAT  
**BRAND:** AQUAPRO



## PRODUCT SPECIFICATION:

<b>Working Pressure:</b>	<b>103~220psi (7~15kg/cm<sup>2</sup>)</b>
<b>High Pressure:</b>	<b>Max. 20kg</b>
<b>Material:</b>	<b>SS304 Or SS316</b>
<b>Cartridges Quantity:</b>	<b>5 or 7</b>
<b>Working Temperature:</b>	<b>1~50 C</b>

# PRODUCT SPECIFICATION

PART NO.	DIMENSION	PIPE SIZE (NPT)	DRAIN(NPT)	CARTRIDGES LOAD	FLOW G/M
CF05	230mm(D)x590mm(H)	1 1/2"	3/4"	10"x5	35-50
CF10	230mm(D)x890mm(H)	1 1/2"	3/4"	20"x5	75-100
CF15	230mm(D)x1110mm(H)	1 1/2"	3/4"	30"x5	100-150
CF20	230mm(D)x1380mm(H)	1 1/2"	3/4"	40"x5	150-200
CF28	230mm(D)x1380mm(H)	2"	3/4"	40"x7	220-280

## FILTER CARTRIDGE:

Multipurpose Filtration Solutions with String Wound Filter Cartridges

Wound Depth Cartridge Design & Function Wound cartridges provide true depth filtration utilizing thousands of tapered filtering passages of controlled size and shape. Up to 10 GPM per 10 in length

Each layer of roving contributes to true depth filtration by trapping its share of particles. Wound cartridges offer a gradual pressure increase during cartridge life versus surface-type media that have an abrupt flow cutoff when loaded.

