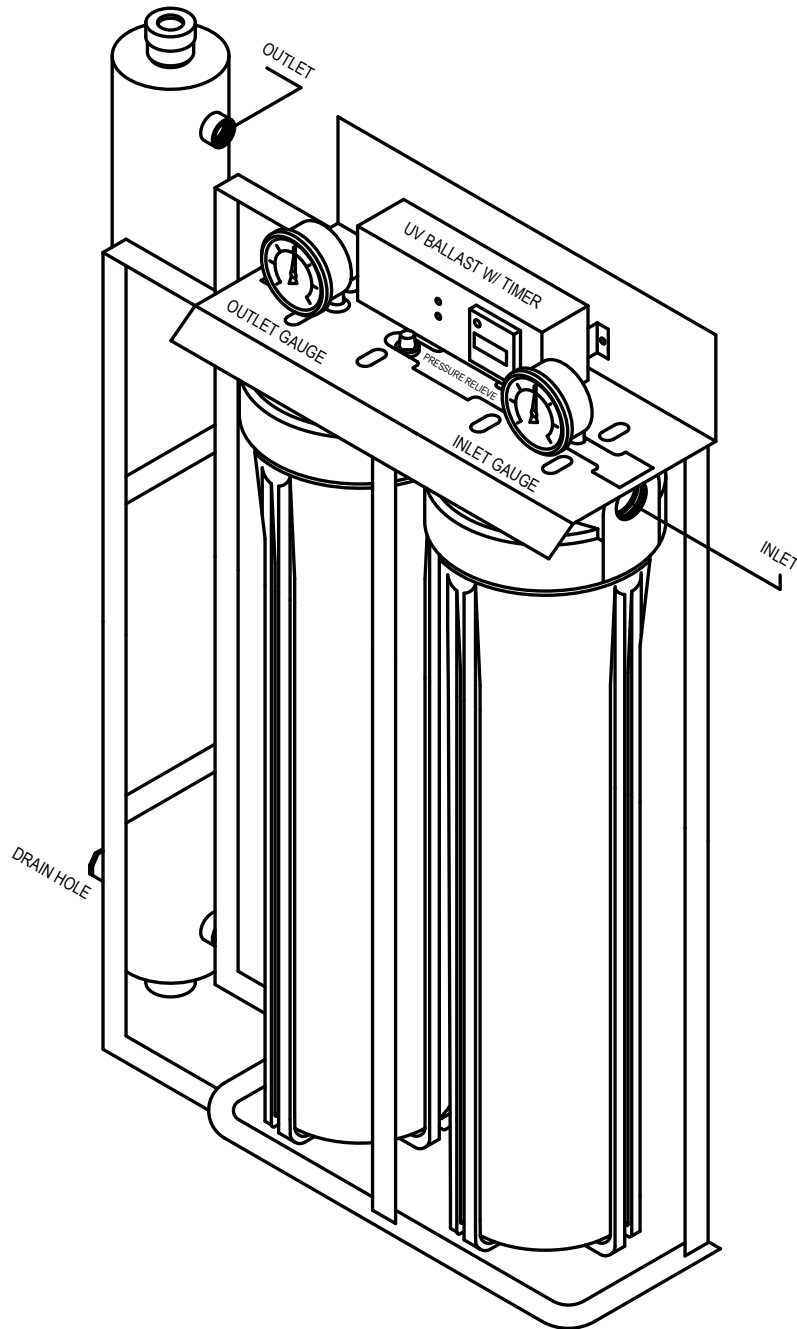


AQFBB10-TWIN-UV6HT1

- DUAL FILTRATION WITH 6GPM UV STERILIZER
- PROVIDE 1200~1500LPH STERILIZED WATER
- SAFE AND CHEMICAL FREE
- UV LAMP PROVIDES CONSISTENT UV OUTPUT OVER 9000HRS
- ELECTRONIC BALLST VISUALLY DISPLAYS UV FUNCTION
- ACCUMULATED TIMER UP TO 99999HRS



MAIN PARTS LIST



MAIN PARTS LIST

BK-2BB-STAND-10	BRACKET FOR 2 * 10" BIG BLUE HOUSINGS
AQF-1050BU-1NPT-X	10" BIG BLUE FILTER HOUSING IN/OUT: 1"NPT (OR BSP)
FL-PPS-1045	5U PP SPUN FIBER FOR 10" BIG BLUE HOUSING, NSF
APC-1045	CARBON BLOCK CARTRIDGE FOR 10" BIG BLUE HOUSING
GAUGE-V-15B	GAUGE, VERTICAL TYPE, 0-15BAR, 0-200PSI
UV-6GPM-HT1	6GPM UV STERILIZER, WITH TIMER BALLAST
CN-L-88M88HP	CONNECTOR, 1" MALE X 1" HP TUBE, ELBOW (OPTION)

INSTALLATION & REPLACEMENT

INSTALLATION STEPS:

1. Fix the system at proper location.
2. Connect water pipe to the Inlet 1"
3. Take UV lamp out and connect with black covered plug (try if ok), then remove it.
Put lamp into the UV chamber, connect with the plug and well cover the end cap.
4. Fix the grounding.
5. UV plugged to the power supply
6. Check if the Green lamp is "on" on the ballast.
7. Check the filter housing's cap locked tightly.
8. Turn on water supply, push the "red" button to release the air, there will be some water dripping out, about 3 times, then installation is completed.

UV BALLAST: CHECK LIST

Lamp green : on, normal

Lamp red: flashing & beeping - replace lamp

Lamp green & red off:

1. Out of electricity, or other power supply problem
Should recover when electricity supplies again.
2. Environment or system temp over 80°C.
Temperature protection will shut off the ballst.
Please plug off the UV at least 15 minutes and plug again.
3. Fuse damage
The stable electricity supply is necessary for UV sterilizer.
If fuse damage, should replace a new ballast.
The damaged ballast please send back to shop to check fuse burned off reason & recommend the improvement, otherwise, the same damage will continue.

CARTRIDGE REPLACEMENT:

1. The water quality is varied in every location, so the 2 gauges will be important for replacement reference.
2. The gauge located at right inlet housing is showing the "inlet water pressure"
The gauge located at left outlet housing is showing the "product water pressure"
If the reading on both gauge, with difference of 1bar(14.7psi-15psi), please replace new cartridges.

LAMP REPLACEMENT

1. Stop water supply and remove the UV plug from electric socket.
2. Loosen Hex nut to release water inside of chamber.
3. If need to dismantel UV chamber, the special clamp will open when pushing UV chamber inward.
4. Remove the used lamp from black covered socket, replace with the new lamp.